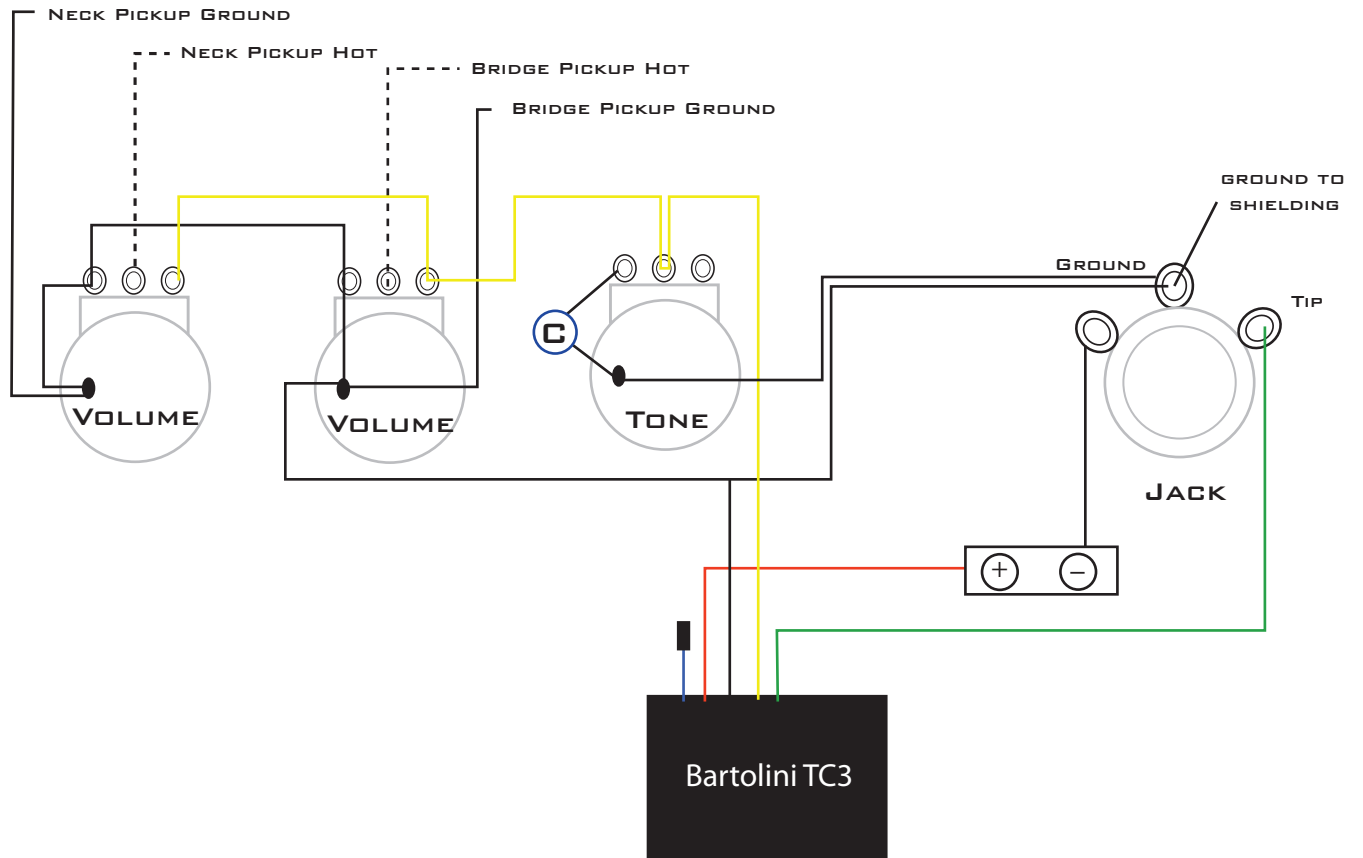


2 PICKUP - VOLUME-VOLUME-TONE WITH BARTOLINI TC3 WIRING



*SLEEVE IS GROUND ON JACK

*PICKUP GROUNDS CAN BE SOLDERED TO BACK OF VOLUME POT OR TO SLEEVE ON JACK.

BESTBASSGEAR LLC
THE FINEST IN BASS PICKUPS, PREAMPS, & OTHER BASS-SPECIFIC NECESSITIES

WWW.BESTBASSGEAR.COM - SALES@BESTBASSGEAR.COM