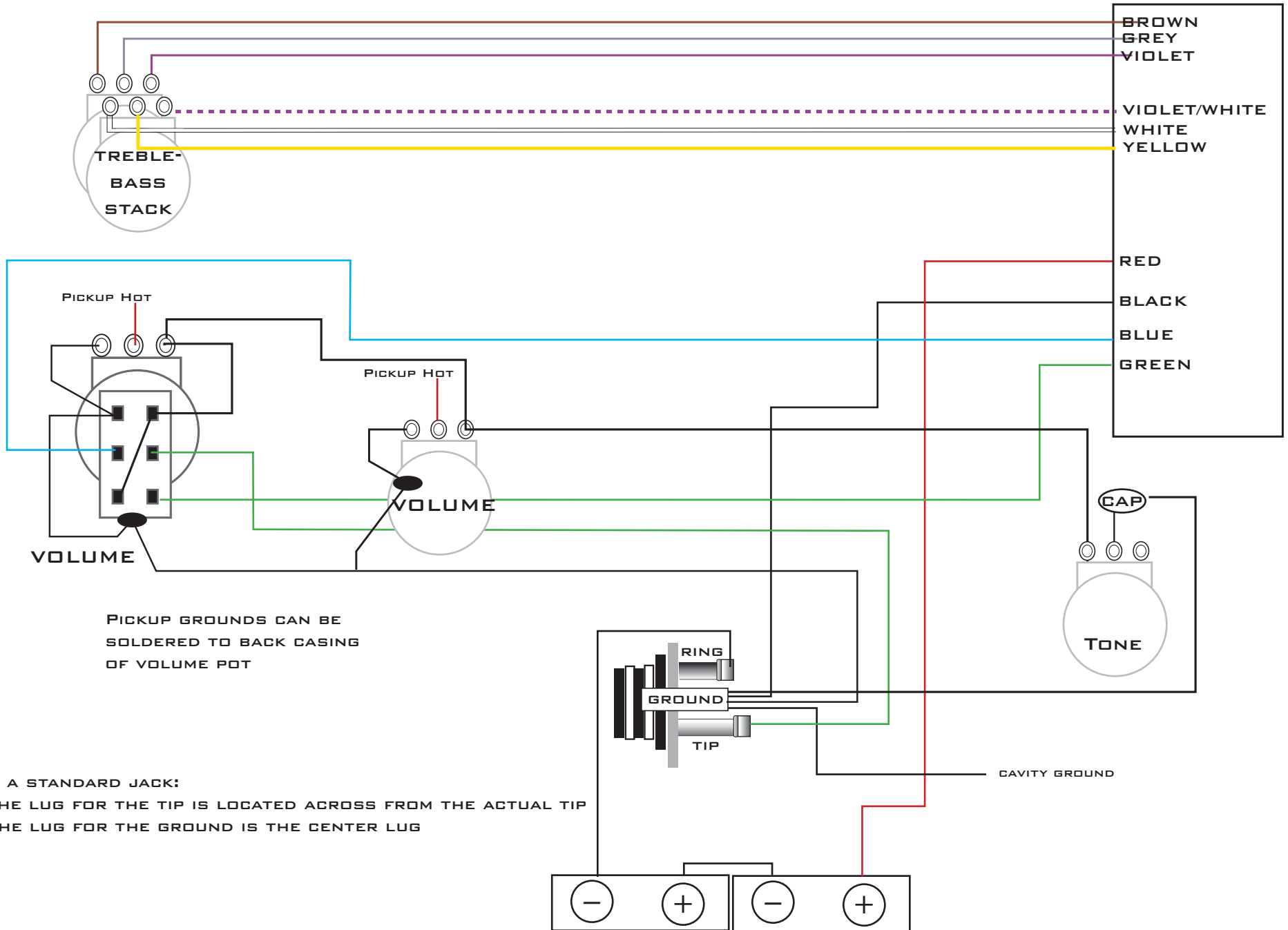


**AGUILAR OBP2 - VOLUME (ACTIVE-PASSIVE PP) - VOLUME - TREBLE/BASS STACK - TONE**



PICKUP GROUNDS CAN BE SOLDERED TO BACK CASING OF VOLUME POT

- ON A STANDARD JACK:
- THE LUG FOR THE TIP IS LOCATED ACROSS FROM THE ACTUAL TIP
  - THE LUG FOR THE GROUND IS THE CENTER LUG

9 OR 18 VOLTS CAN BE USED WITH THE OBP2/OBP3 PREAMPS. FOR 9 VOLT USE, CONNECT THE NEGATIVE FROM THE BATTERY TERMINAL TO THE RING ON THE JACK.