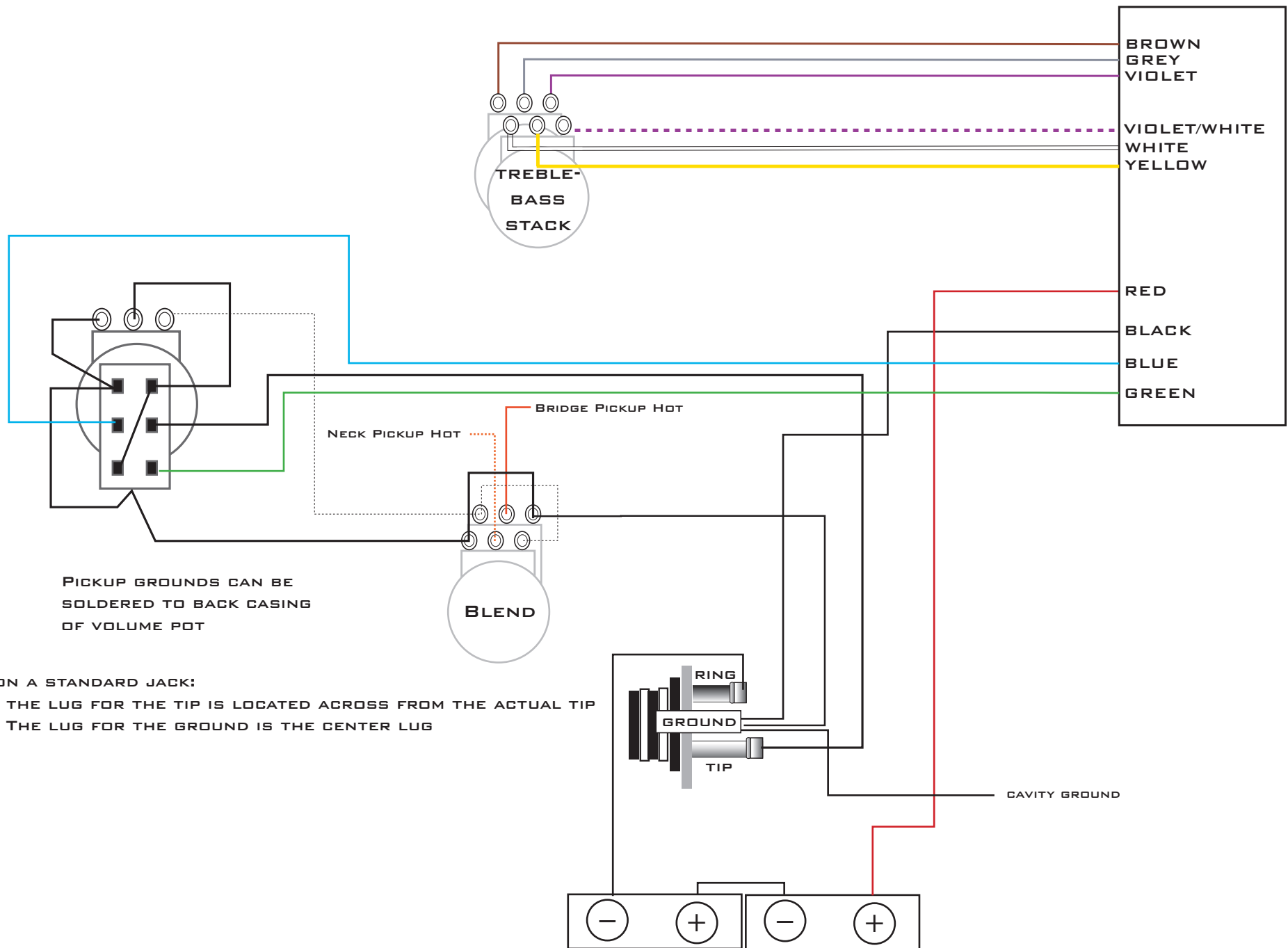


# AGUILAR OBP2 - VOLUME (W/PP FOR A/P) - BLEND -TREBLE/BASS STACK



- BROWN
- GREY
- VIOLET
- VIOLET/WHITE
- WHITE
- YELLOW
- RED
- BLACK
- BLUE
- GREEN

PICKUP GROUNDS CAN BE  
SOLDERED TO BACK CASING  
OF VOLUME POT

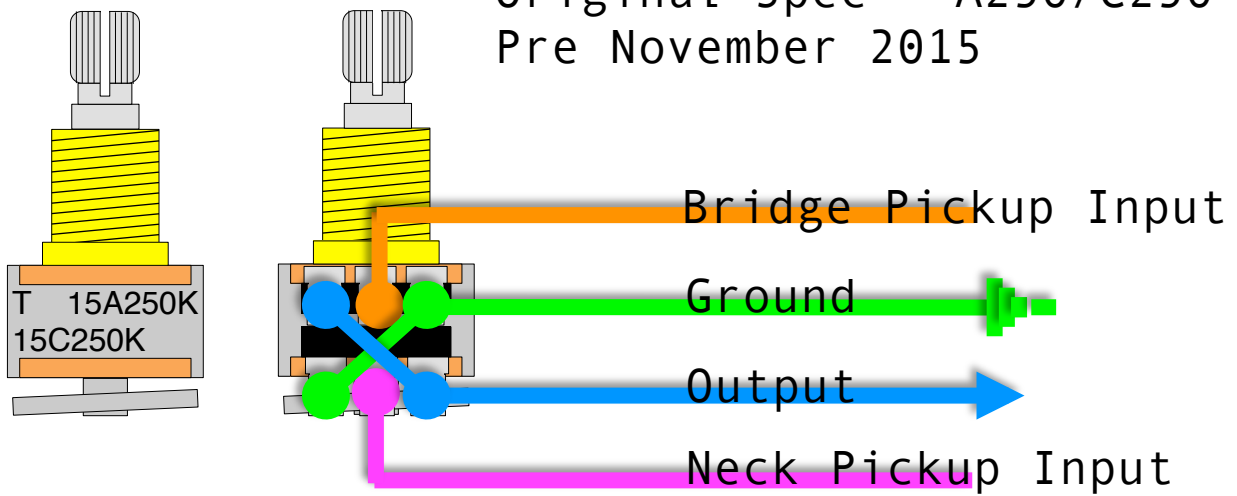
- ON A STANDARD JACK:
- THE LUG FOR THE TIP IS LOCATED ACROSS FROM THE ACTUAL TIP
  - THE LUG FOR THE GROUND IS THE CENTER LUG

9 OR 18 VOLTS CAN BE USED WITH THE OBP2/OBP3 PREAMPS. FOR 9 VOLT USE,  
CONNECT THE NEGATIVE FROM THE BATTERY TERMINAL TO THE RING ON THE JACK.



## Instructional Addendum to Aguilar Blend Pot

Original Spec - A250/C250  
Pre November 2015



New Spec - Z250/Z250  
Post November 2015

