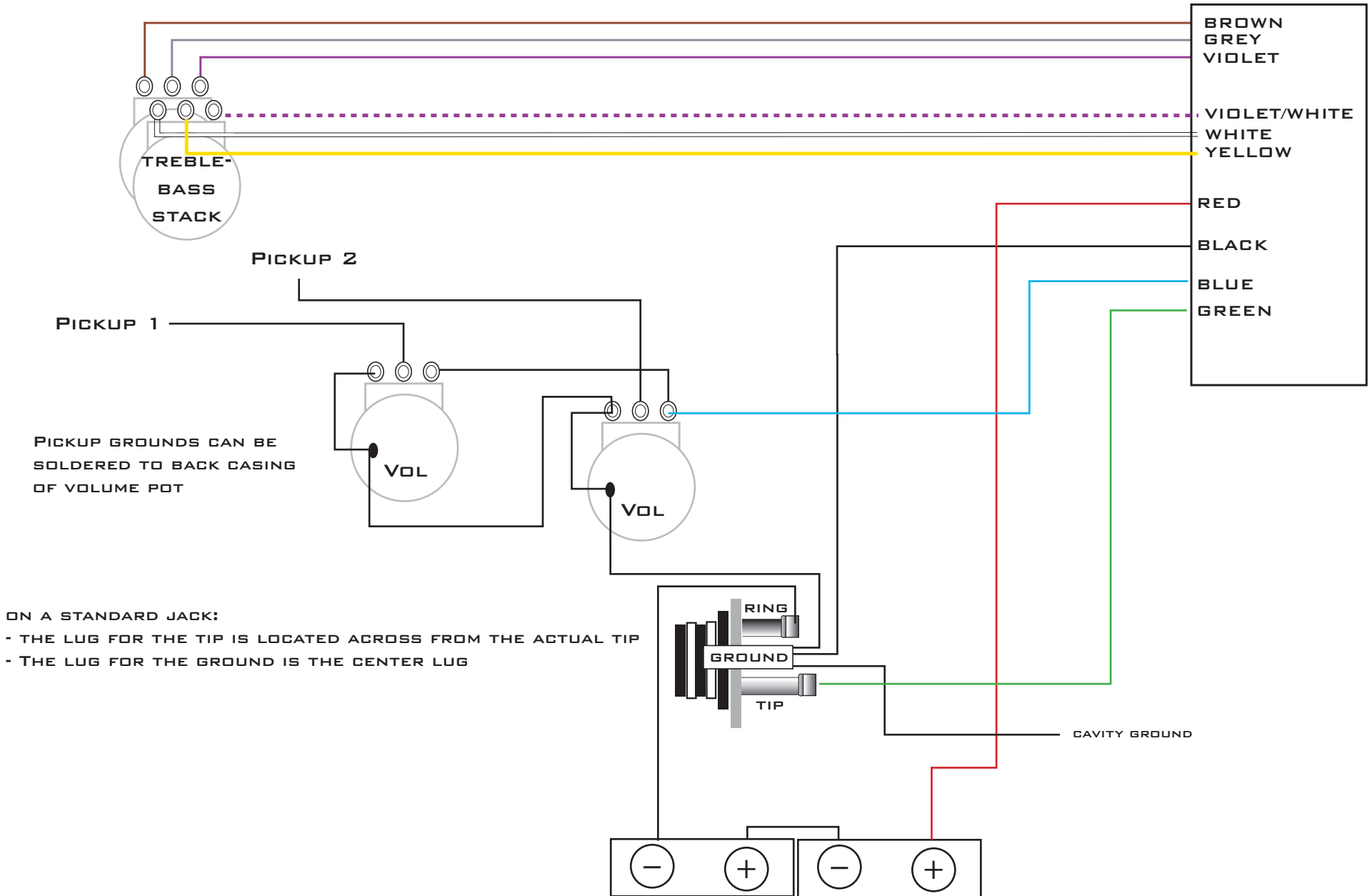


AGUILAR OBP2



PICKUP GROUNDS CAN BE
 SOLDERED TO BACK CASING
 OF VOLUME POT

ON A STANDARD JACK:

- THE LUG FOR THE TIP IS LOCATED ACROSS FROM THE ACTUAL TIP
- THE LUG FOR THE GROUND IS THE CENTER LUG

9 OR 18 VOLTS CAN BE USED WITH THE OBP2/OBP3 PREAMPS. FOR 9 VOLT USE,
 CONNECT THE NEGATIVE FROM THE BATTERY TERMINAL TO THE RING ON THE JACK.