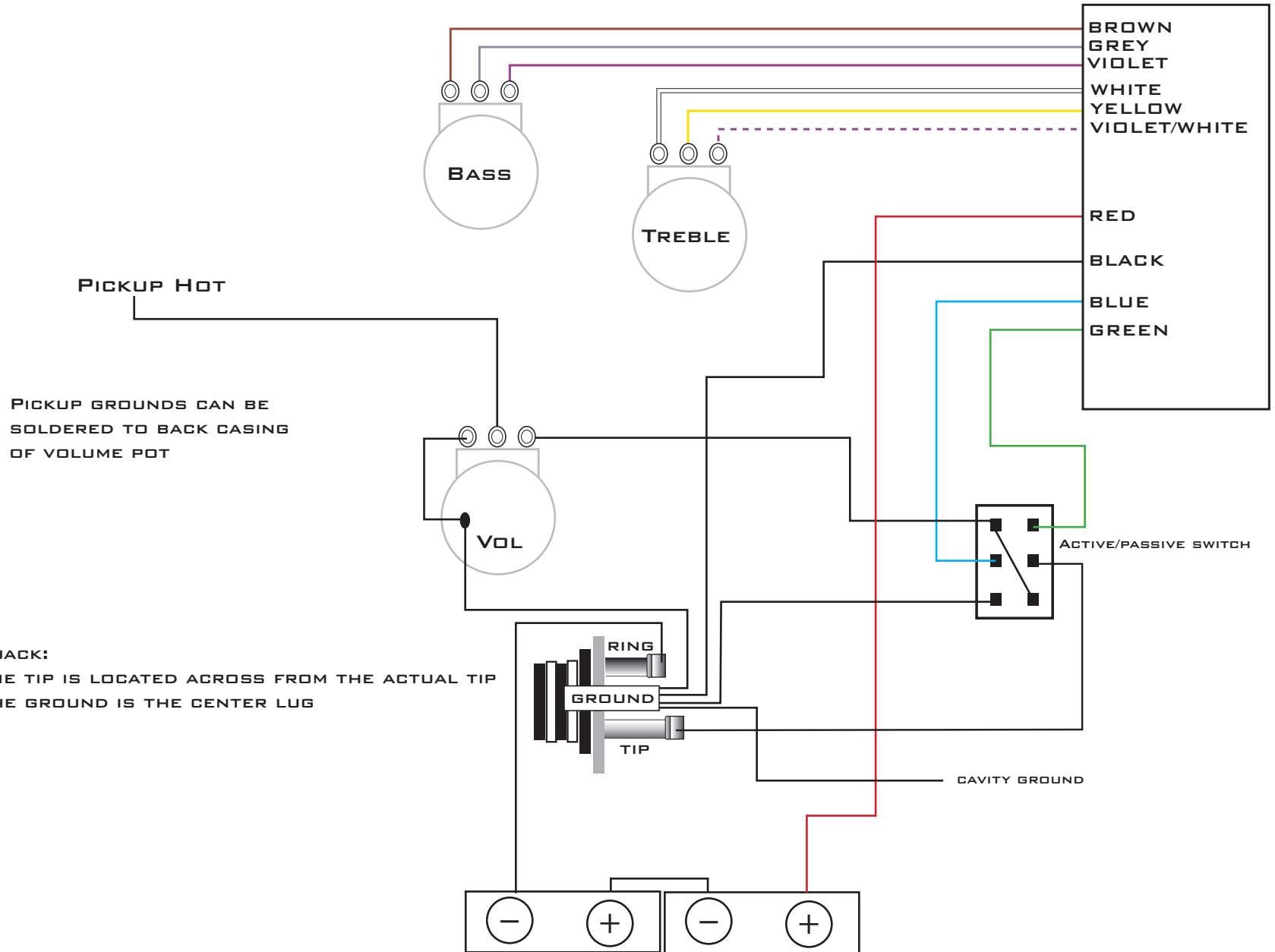


AGUILAR OBP2 - VOLUME - TREBLE - BASS - ACTIVE/PASSIVE SWITCH



PICKUP HOT

PICKUP GROUNDS CAN BE
SOLDERED TO BACK CASING
OF VOLUME POT

- ON A STANDARD JACK:
- THE LUG FOR THE TIP IS LOCATED ACROSS FROM THE ACTUAL TIP
 - THE LUG FOR THE GROUND IS THE CENTER LUG

9 OR 18 VOLTS CAN BE USED WITH THE OBP2/OBP3 PREAMPS. FOR 9 VOLT USE,
CONNECT THE NEGATIVE FROM THE BATTERY TERMINAL TO THE RING ON THE JACK.