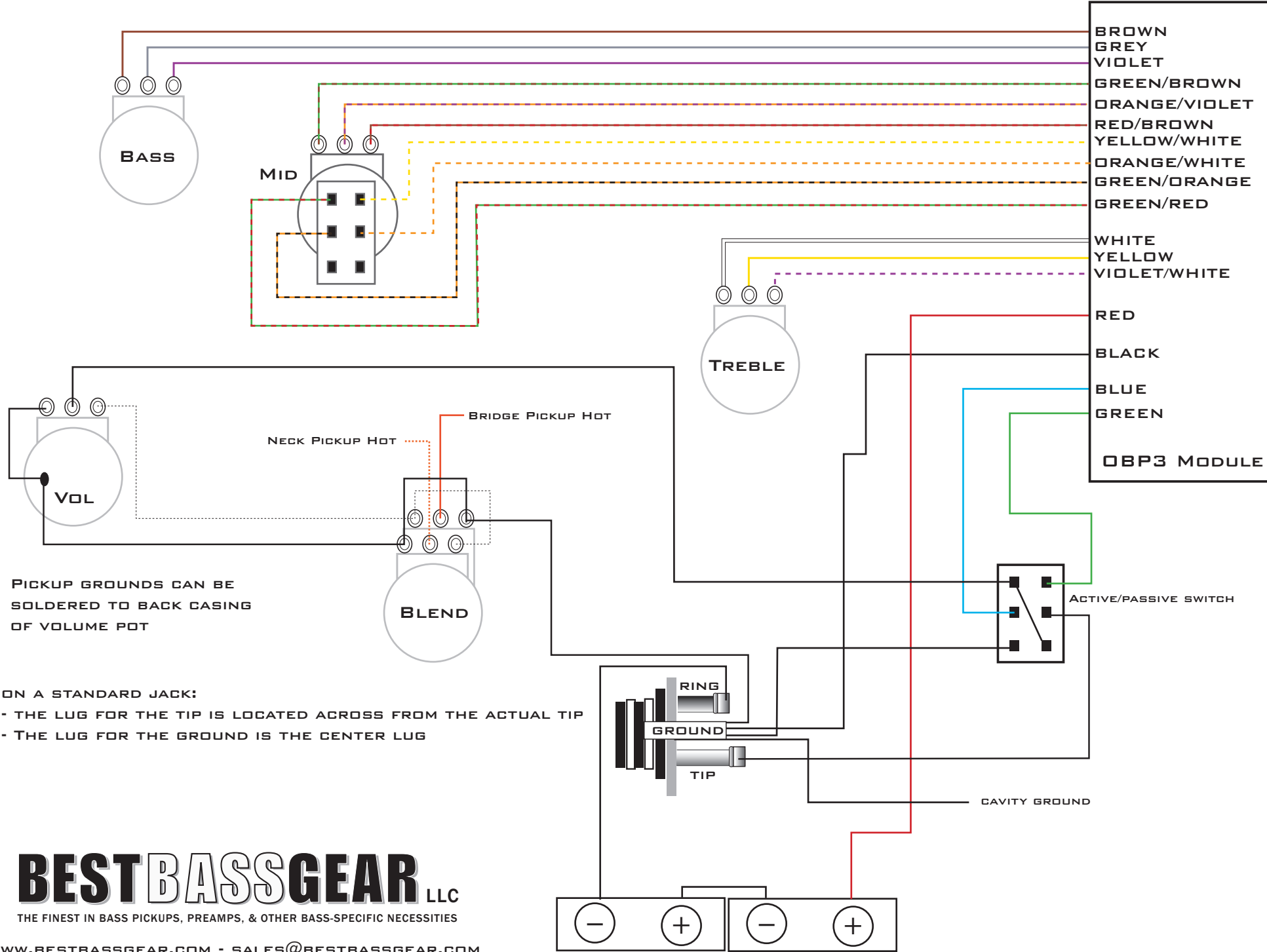


AGUILAR OBP3: VOLUME - BLEND - TREBLE - MID (PUSH-PULL FREQ SEL) - BASS - ACTIVE/PASSIVE SWITCH



PICKUP GROUNDS CAN BE SOLDERED TO BACK CASING OF VOLUME POT

ON A STANDARD JACK:
 - THE LUG FOR THE TIP IS LOCATED ACROSS FROM THE ACTUAL TIP
 - THE LUG FOR THE GROUND IS THE CENTER LUG

BESTBASSGEAR LLC
 THE FINEST IN BASS PICKUPS, PREAMPS, & OTHER BASS-SPECIFIC NECESSITIES

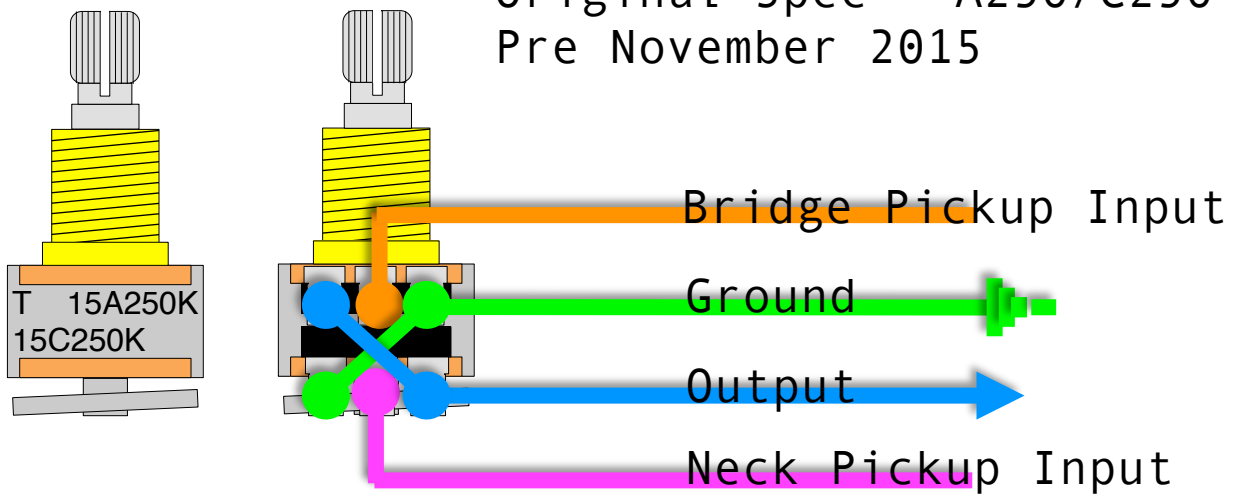
WWW.BESTBASSGEAR.COM - SALES@BESTBASSGEAR.COM

9 OR 18 VOLTS CAN BE USED WITH THE OBP2/OBP3 PREAMPS. FOR 9 VOLT USE, CONNECT THE NEGATIVE FROM THE BATTERY TERMINAL TO THE RING ON THE JACK.



Instructional Addendum to Aguilar Blend Pot

Original Spec - A250/C250
Pre November 2015



New Spec - Z250/Z250
Post November 2015

