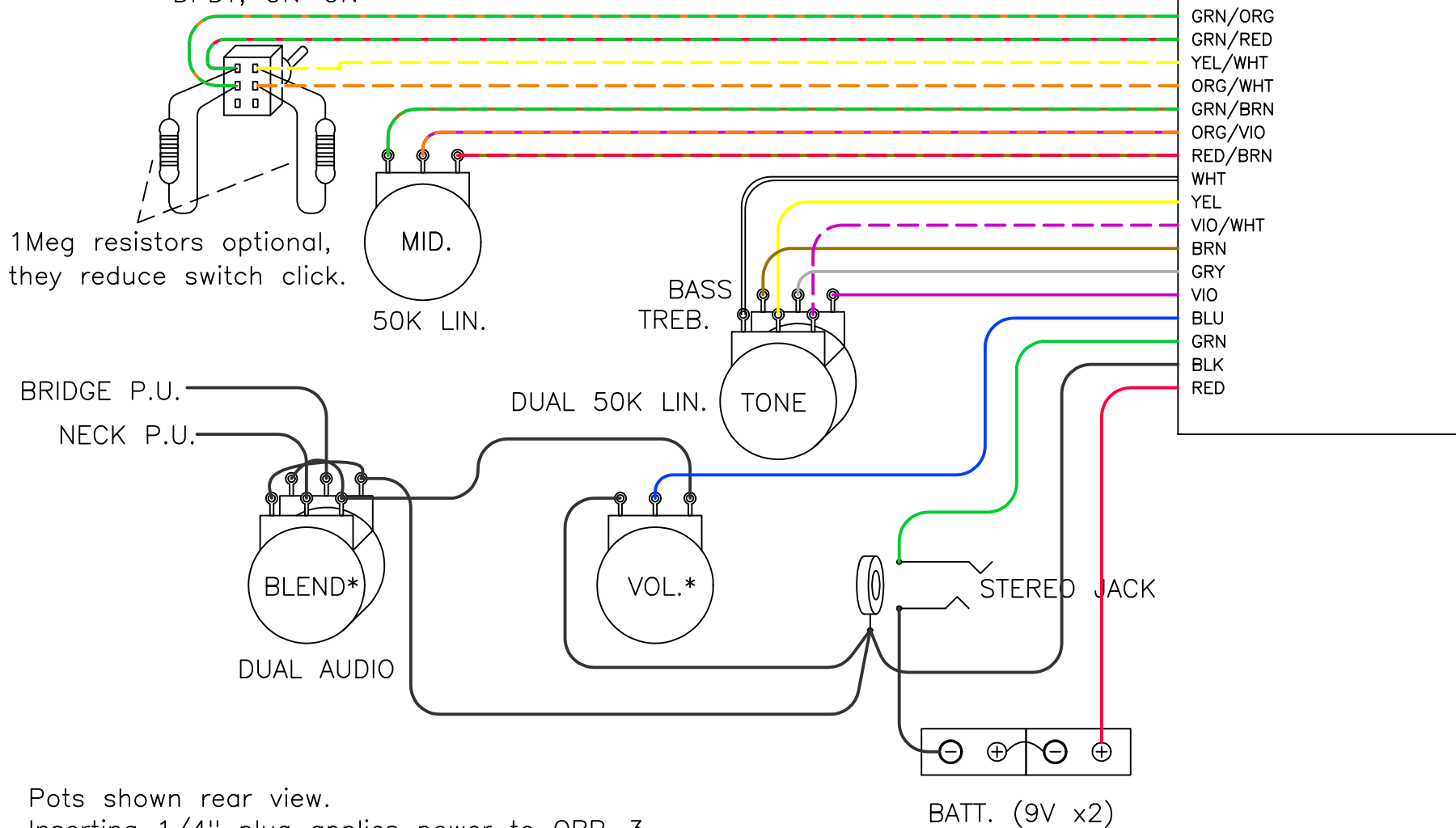


AGUILAR OBP-3 WIRING DIAGRAM WITH BLEND, VOLUME CONTROL, AND STACKED TONE POT

MID. SELECT
Switch closed = 400 Hz
Switch open = 800 Hz
DPDT, ON-ON

OBP-3 MODULE



Pots shown rear view.

Inserting 1/4" plug applies power to OBP-3.

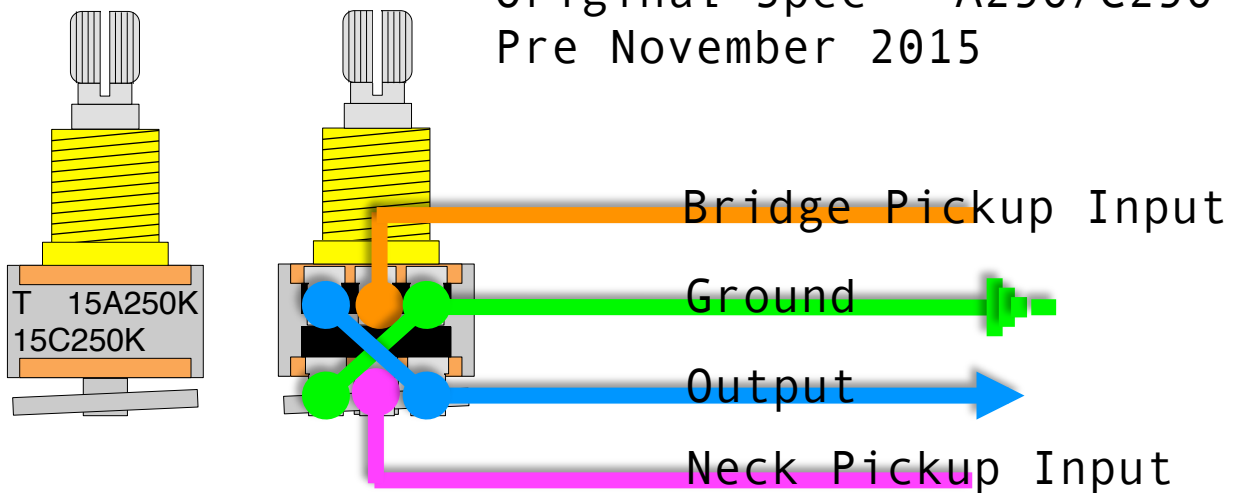
*Value depends on pickups. Use values recommended by pickup manufacturer.

For single pickup, eliminate blend pot – wire pickup directly to volume pot.



Instructional Addendum to Aguilar Blend Pot

Original Spec - A250/C250
Pre November 2015



New Spec - Z250/Z250
Post November 2015

