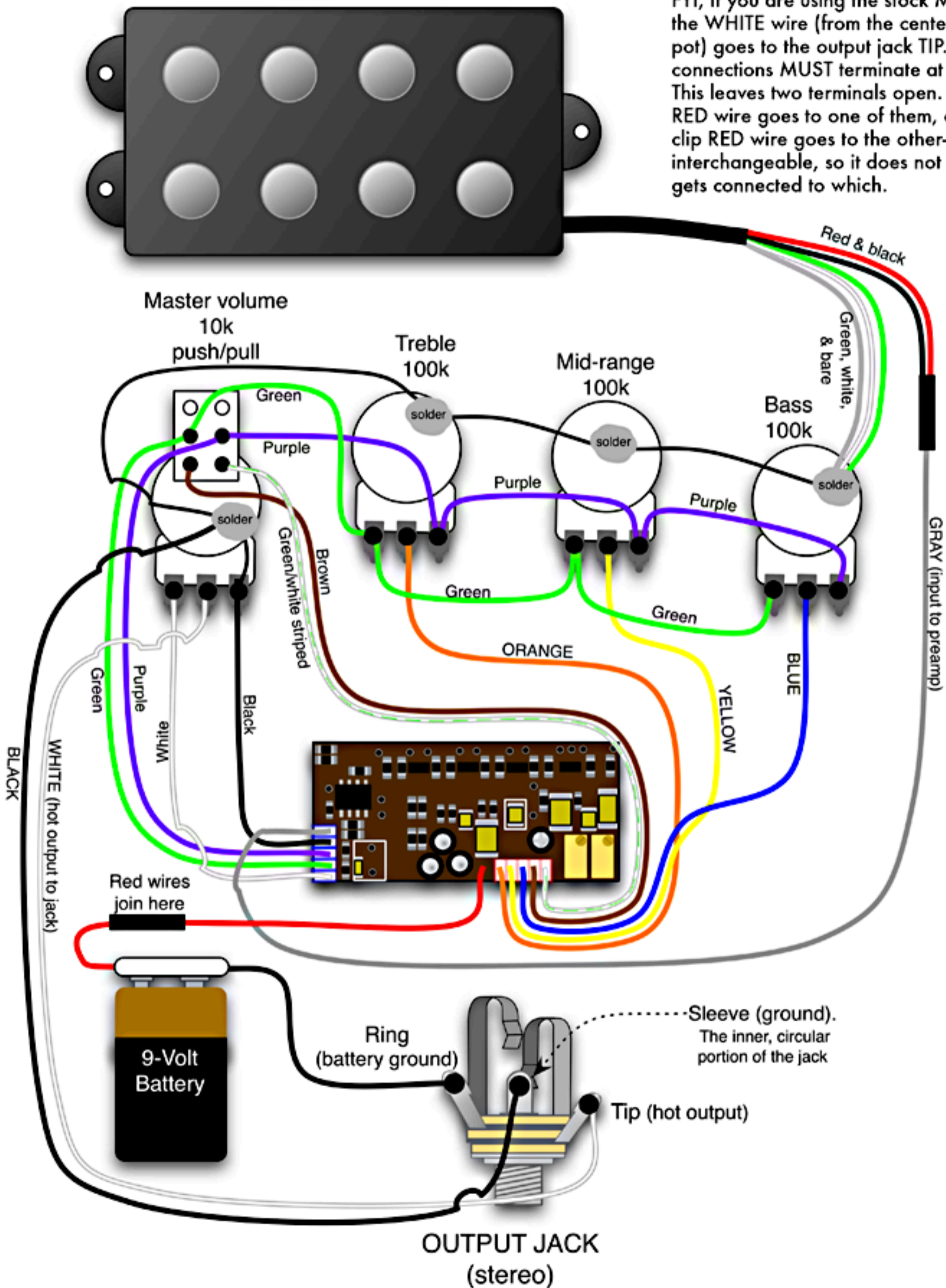


Music Man Pickup and Preamp

FYI, if you are using the stock Music Man jack: the WHITE wire (from the center of the volume pot) goes to the output jack TIP. All ground connections MUST terminate at the SLEEVE. This leaves two terminals open. The preamp RED wire goes to one of them, and the battery clip RED wire goes to the other—these two are interchangeable, so it does not matter which gets connected to which.



Copyright © 2006 Seymour Duncan/Basslines