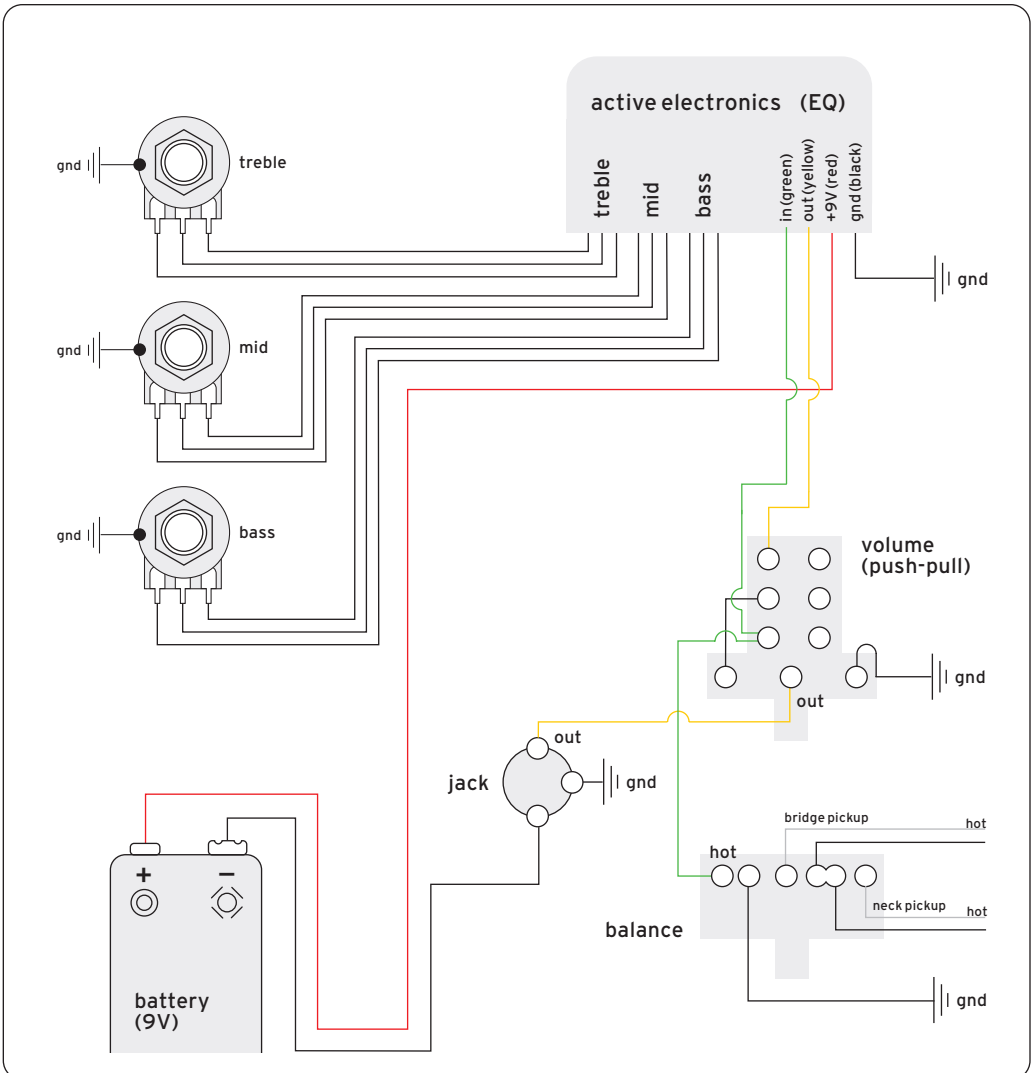


active electronics wiring diagram for SONAR 2 & 3 band EQ

We highly recommend a proper grounding and shielding of the electronics compartment with DELANO MagnaShield copper foil.
Art.-No.: DE-7A (1m) self-adhesive
Art.-No.: DE-7 (roll) self-adhesive



active electronics wiring diagram

for SONAR 2 & 3 band EQ
with passive highcut

We highly recommend a proper grounding and shielding of the electronics compartment with DELANO MagnaShield copper foil.

Art.-No.: DE-7A (1 m) self-adhesive

Art.-No.: DE-7 (roll) self-adhesive

