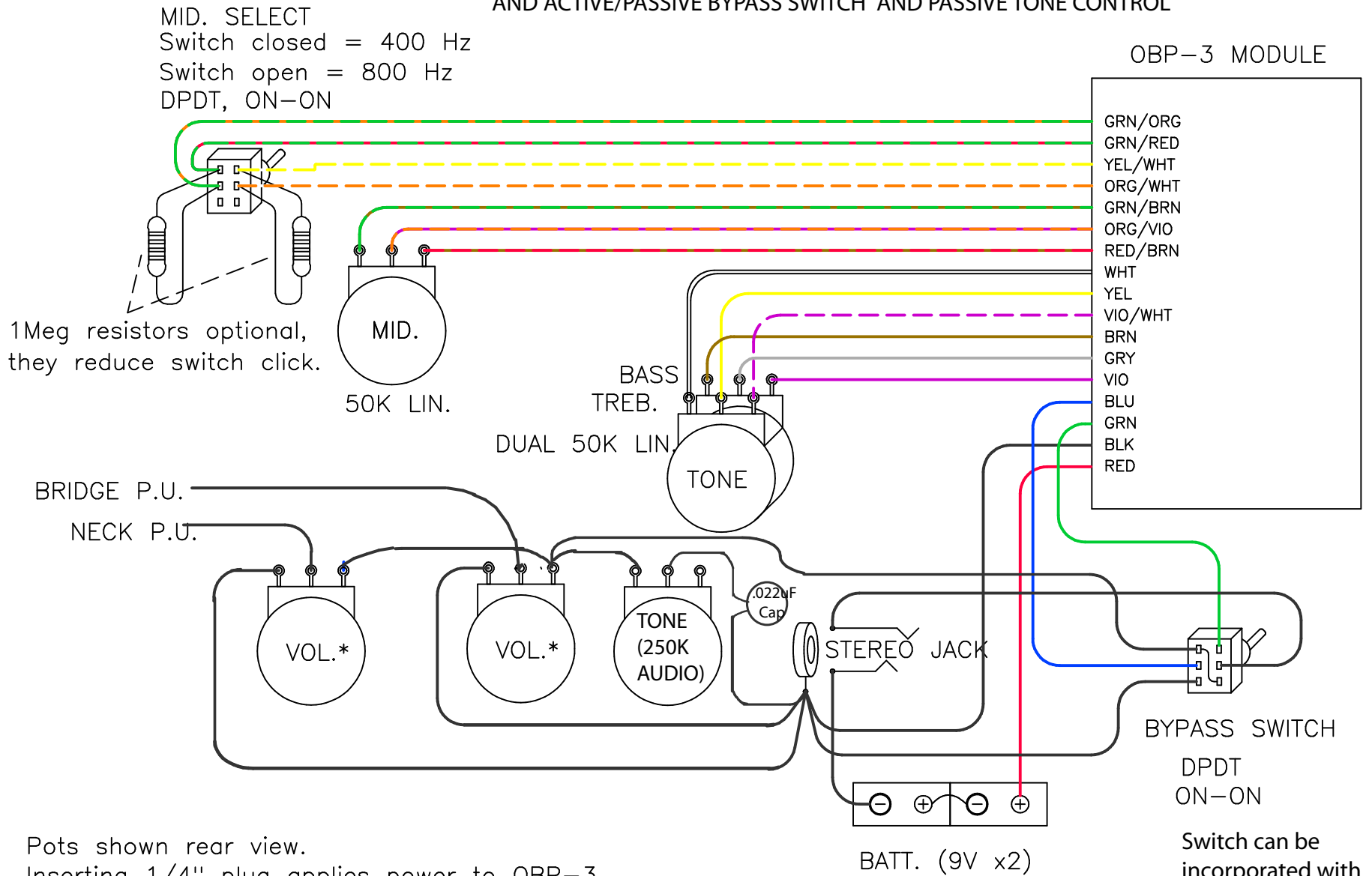


AGUILAR OBP-3 WIRING DIAGRAM WITH BLEND. VOLUME CONTROL. AND STACKED TONE POT AND ACTIVE/PASSIVE BYPASS SWITCH AND PASSIVE TONE CONTROL



Pots shown rear view.

Inserting 1/4" plug applies power to OBP-3.

*Value depends on pickups. Use values recommended by pickup manufacturer.

For single pickup, eliminate blend pot – wire pickup directly to volume pot.

Switch can be
incorporated with
the Neck Pickup
Volume Pot.