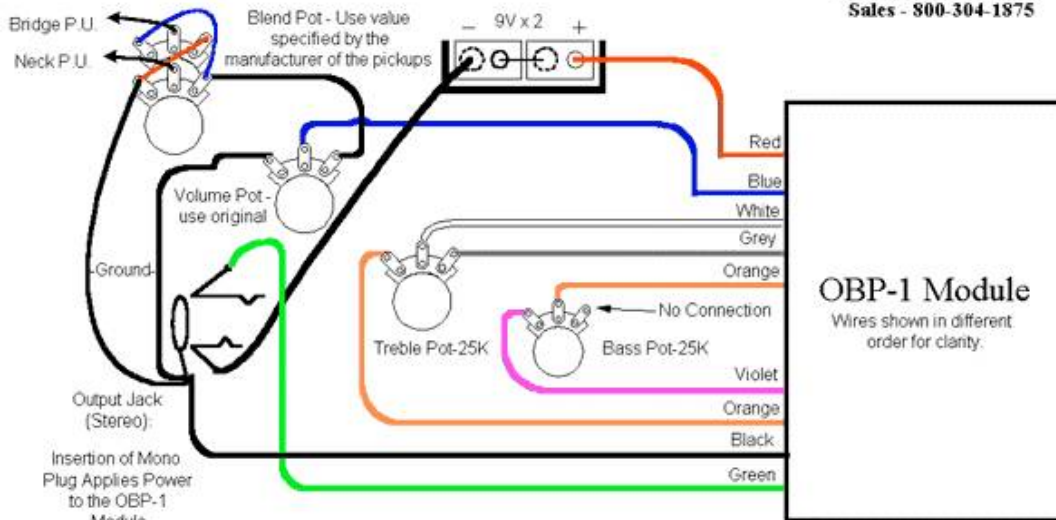




OBP-1 Wiring Diagram with Volume Pot and Blend Control

Aguilar Amplification LLC
599 Broadway 7th Fl.
New York, NY 10012
www.agularamp.com
techsupport@agularamp.com
Support - 212-431-9109
Sales - 800-304-1875

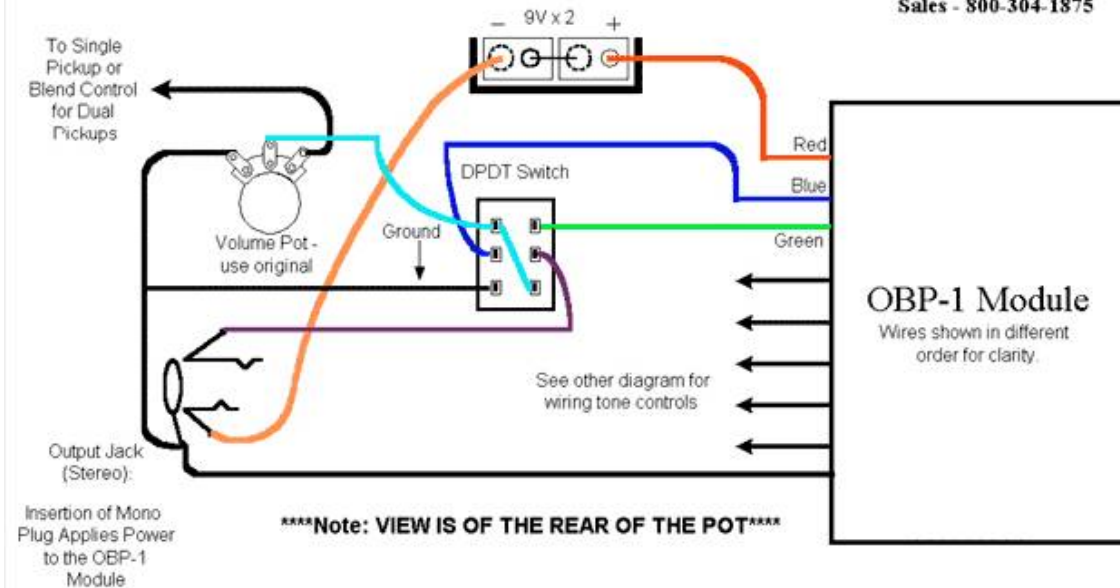


****Note: VIEW IS OF THE REAR OF POTS****

*** It makes no difference which way the orange wires are connected - they are interchangeable ***

OBP-1 Wiring Diagram with On/Off Switch

Aguilar Amplification LLC
599 Broadway 7th Fl.
New York, NY 10012
www.agularamp.com
techsupport@agularamp.com
Support - 212-431-9109
Sales - 800-304-1875

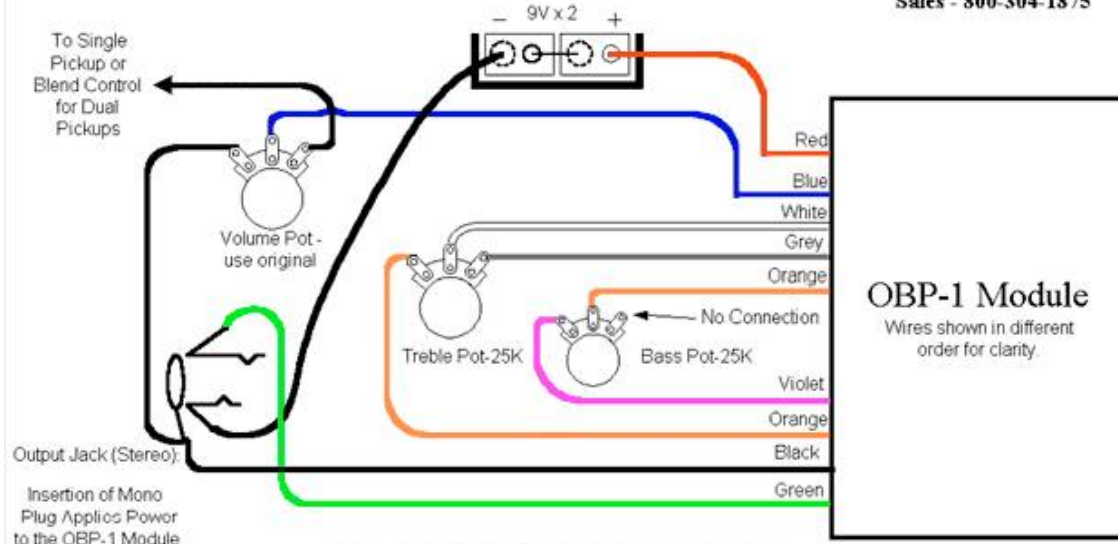


****Note: VIEW IS OF THE REAR OF THE POT****



OBP-1 Wiring Diagram with Volume Pot

Aguilar Amplification LLC
599 Broadway 7th Fl.
New York, NY 10012
www.aguilaramp.com
techsupport@aguilaramp.com
Support - 212-431-9109
Sales - 800-304-1875



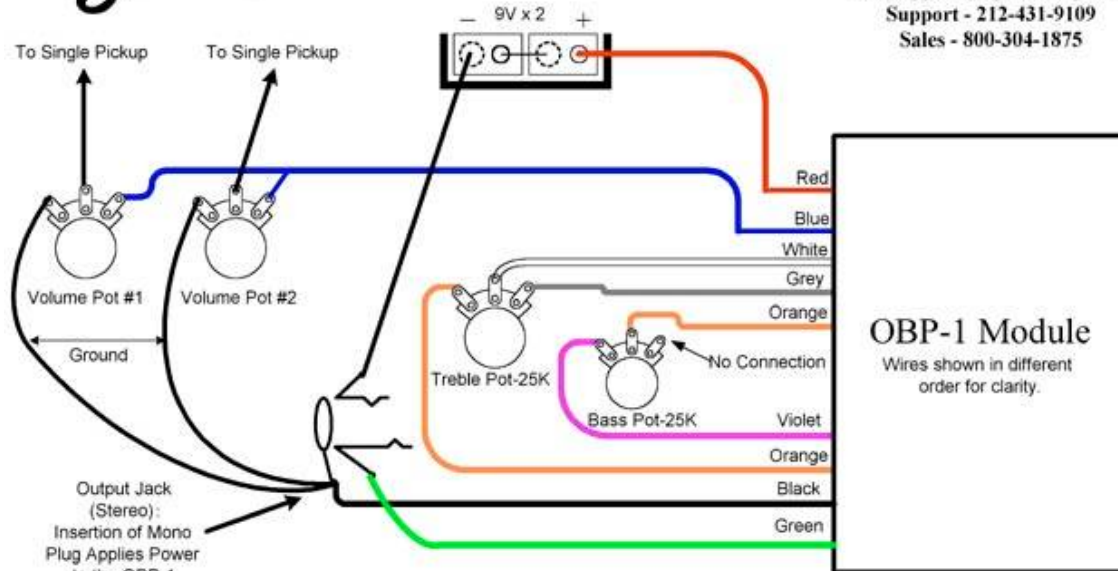
****Note: VIEW IS OF THE REAR OF POTS****

*** It makes no difference which way the orange wires are connected - they are interchangeable ***



OBP-1 Wiring Diagram with Two Volume Pots

Aguilar Amplification LLC
599 Broadway 7th Fl.
New York, NY 10012
www.aguilaramp.com
techsupport@aguilaramp.com
Support - 212-431-9109
Sales - 800-304-1875



****Note: VIEW IS OF THE REAR OF POTS****

*** It makes no difference which way the orange wires are connected - they are interchangeable ***