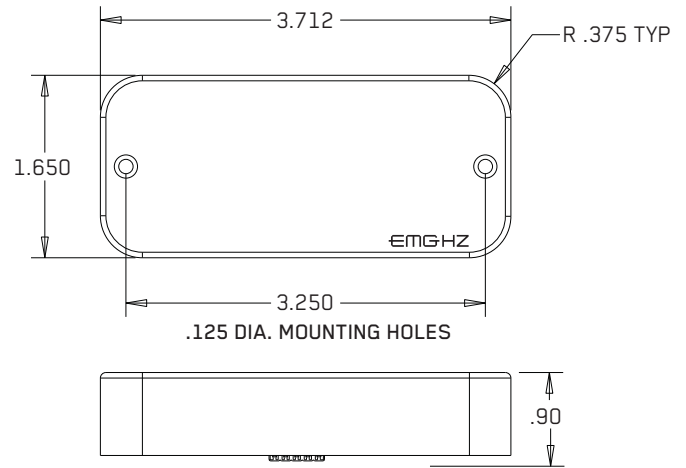




0230-0211B

PO BOX 4394
SANTA ROSA, CA
95402 USA

P (707) 525-9941
F (707) 575-7046
EMGPICKUPS.COM



INSTALLATION INFORMATION

EMG MODELS: TB-HZ PICKUP

SPECIFICATIONS:

Logo Color
Magnet Type *
Inductance (Henries) (1)
DC Resistance (kOhm)
Resonant Frequency (KHz) (2)
Resonant Frequency (KHz) (3)
Impedance at Resonance (kOhm) (2)

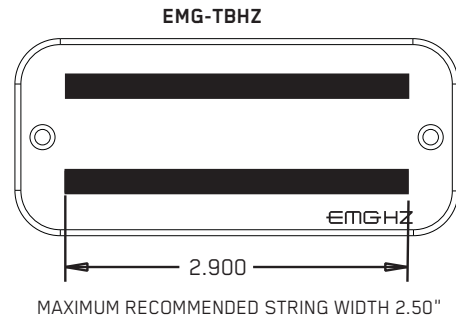
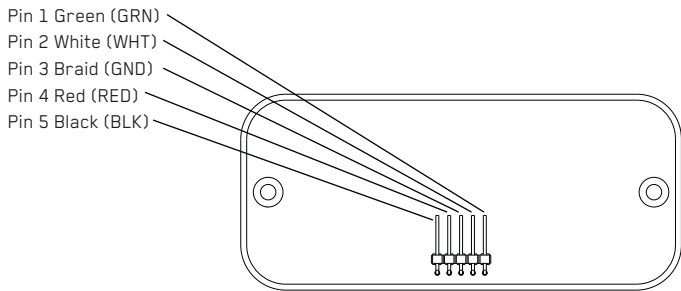
MODEL:

TB-HZ
Silver
A/S
2.65
8.0
2.85
4.90
47.50

*Note: Magnet Type: A (Alnico) A/S (Alnico/Steel)

- (1) Wired in Series
- (2) Loaded with 500K Volume and Tone with a 20' (6M) Cable
- (3) Loaded with 1 MegOhm / 47pf

EMG-HZ WIRING



INSTALLATION NOTES:

The connector system allows an easy method of interchanging pickups. The SRO 5-Wire Cable and wire legend are compatible with all other EMG-HZ Pickups, so any EMG-HZ Passive Pickup can be installed with any other EMG-HZ Pickup. The 5-Wire cable allows Series/Parallel switching or simple single/dual-coil combinations can be used. For more information go to <http://www.emgpickups.com>.

SPECIAL NOTE: The Red Wire of the HZ Pickup is NOT for battery power, it is a coil wire.

WARRANTY

All EMG Pickups and accessories are warranted for a period of two years. This warranty does not cover failure due to improper installation, abuse or damage. If upon examination the pickup is determined to be defective, a replacement will be made. Warranty replacement products are covered by this same warranty. This warranty covers only those pickups and accessories sold by authorized EMG Dealers. This warranty is not transferable.

Installation Instructions:

EMG Models: TB-HZ

General Notes:

Diagram #1 shows the installation of the Pickup Cable.
Be sure to install it with the terminals as shown in the diagram.

Diagram #2 shows the Pickup cable itself. The cable is pre-wired as shown for "Series" wiring typical of Humbucking Pickups.
If you wish to reverse the phase of the signal refer to Diagram #3.
Send the Red wire to ground with the Shield and use the Green wire for output. In both cases the Black and White wires are hooked together and covered with an insulator.

Diagram #1

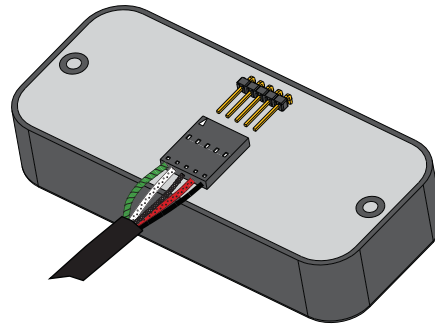


Diagram #2

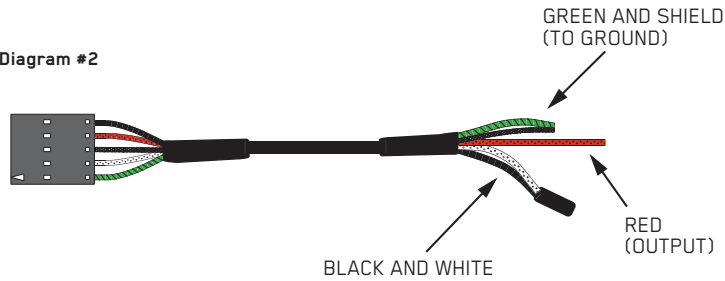
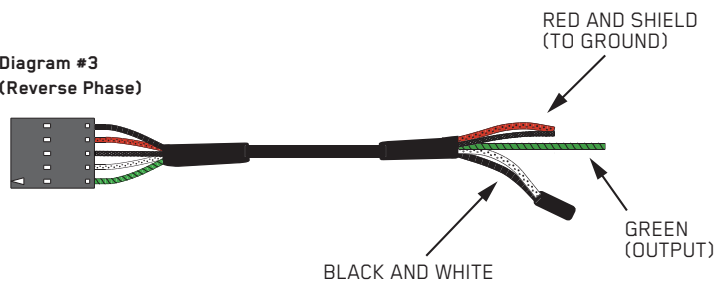


Diagram #3
(Reverse Phase)



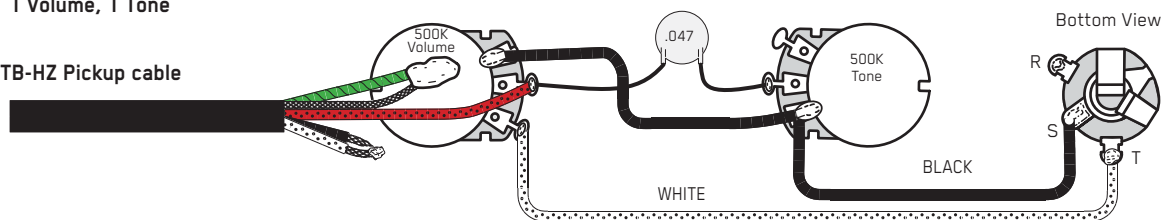
Common Wiring Diagrams:

Included in this data sheet are the most common wiring diagrams. The first two diagrams feature wiring for a single pickup, while the rest are for guitars with 2 Pickups and 2 styles of selection switch.

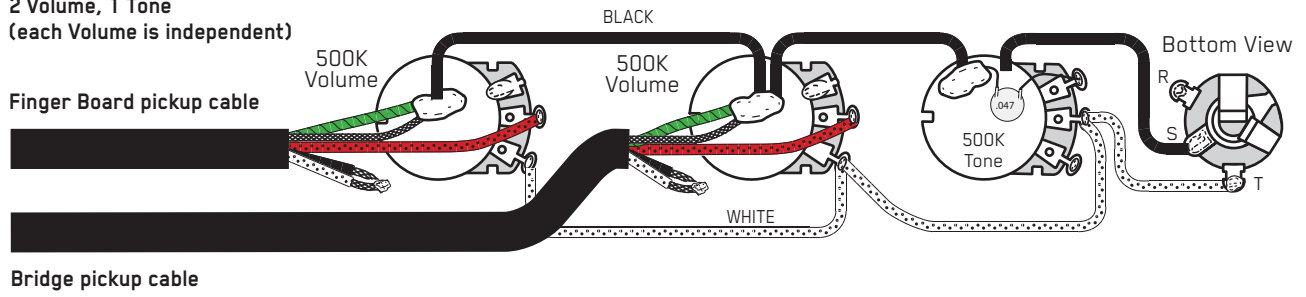
There are a variety of wiring schemes that can be employed using the 5-wire pickup cable. The internet is a great place for finding alternate diagrams. In addition, there are books available from vendors that can help you further. Also try: www.emgpickups.com for more info.

EMG-TB-HZ Diagram 1 1 Volume, 1 Tone

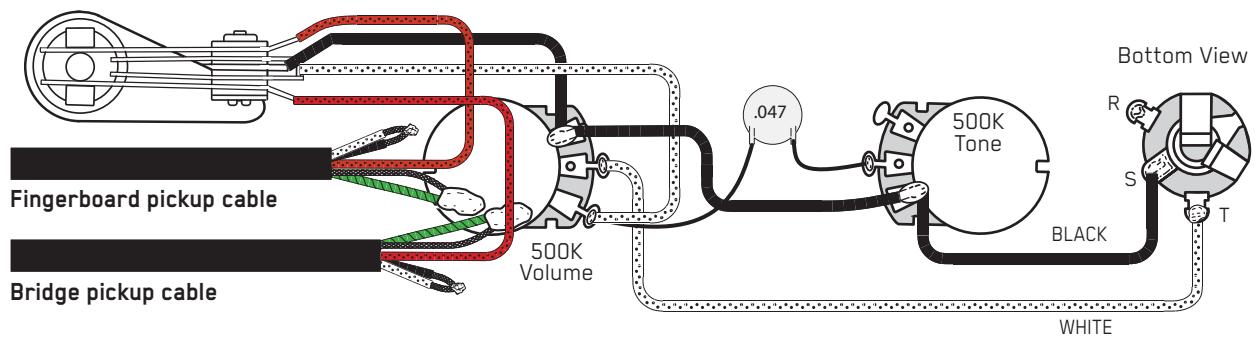
TB-HZ Pickup cable



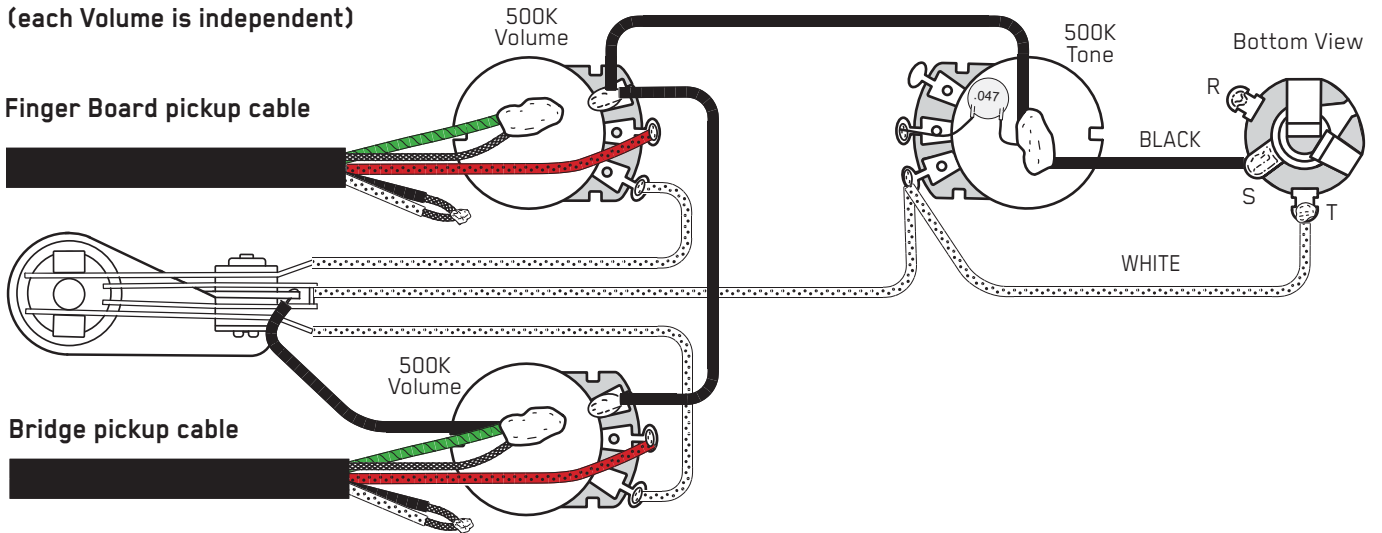
EMG-TB-HZ Diagram 2
2 Volume, 1 Tone
 (each Volume is independent)



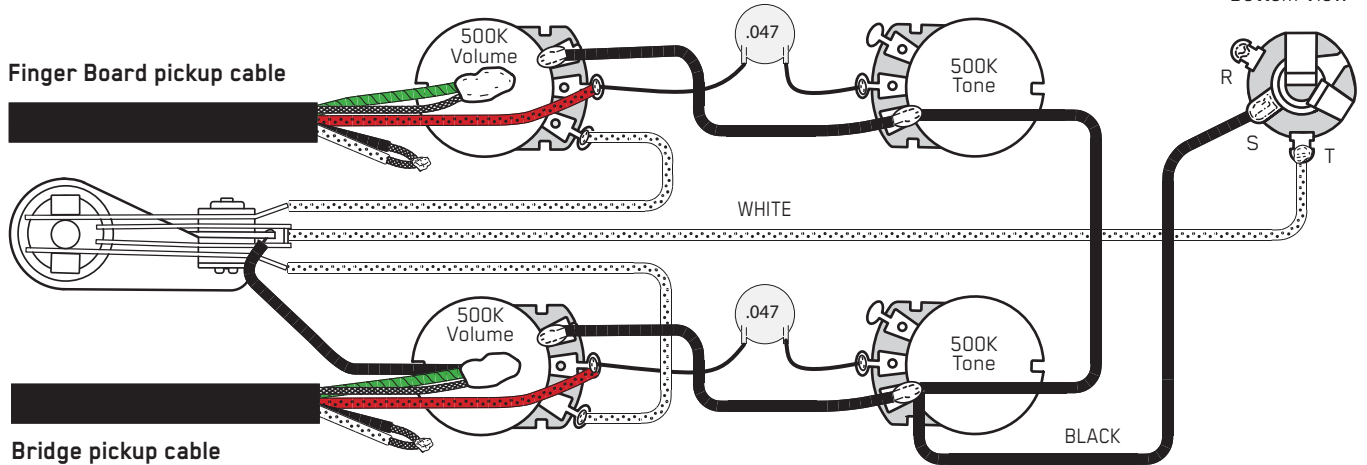
EMG-TB-HZ Diagram 3
1 Volume, 1 Tone w/switch



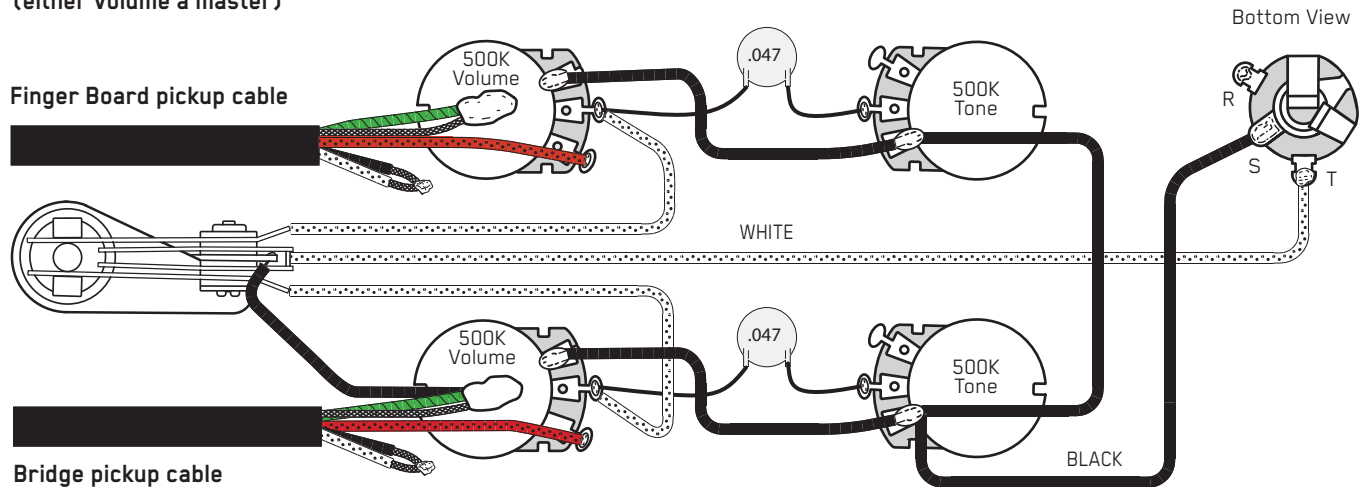
EMG-TB-HZ Diagram 4
2 Volume, 1 Tone w/switch
 (each Volume is independent)



EMG-TB-HZ Diagram 5
2 Volume, 2 Tone w/switch
(each Volume is independent)



EMG-TB-HZ Diagram 6
2 Volume, 2 Tone w/switch
(either Volume a master)



EMG-TB-HZ Diagram 7
1 Volume, 1 Tone
w/ 3 position lever switch

